

GGG-GL20 Glass Door Cam Lock

Application	Door Material	Key Changes	Master Key	Key	Key Series
Swing door	Glass	Max. 1 million changes	Max. 2,520 changes/ master key, Made to order	Unremovable when to unlock	Million Lock Series

Features

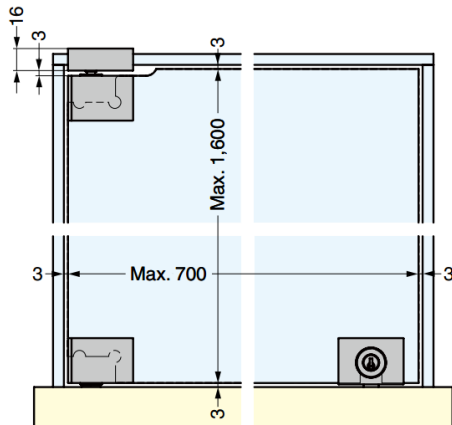
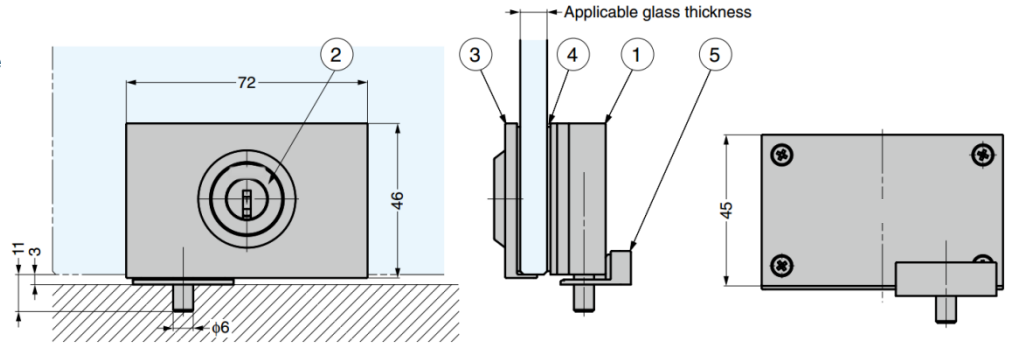
- Cylinder lock for glass swing door
- Can be used together with glass hinge **GGG-GH20** and bracket **GGG-GB20** for a total design of your showcase
- Dimple key with up to 1 million key changes. Reversible key.

Notes

- File on glass door is recommended for safe usage

Parts Included

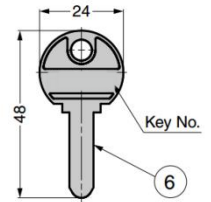
- Screw for strike plate
- Key
- Strike plate
- Spacer



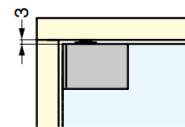
Installation Drawing

Installed with glass hinge **GGG-GH20** and Glass bracket **GGG-GB20**

Glass top panel (Used with Bracket **GGG-GB20**)



Install into wooden top panel



No.	Part Name	Material	Finish/Colour		
			CR	GP	BK
①	Lock	Zinc Alloy (ZDC)	Chrome	Gold (24K) Plated	Black
②	Cylinder	Brass			
③	Front Plate	Zinc Alloy (ZDC)	Black	Black	
④	Spacer	ABS	Black	Black	
⑤	Strike Plate	Zinc Alloy (ZDC)	Chrome	Gold (24K) Plated	
⑥	Key	Brass	Nickel		

Part No.	Finish / Colour	Key Type	Glass Thickness	Key Removal	Key Rotation Angle
GGG-GL20-CR-B	Chrome	Keyed Differently	6, 8, 10	Single Point	360°
GGG-GL20-CR-D		Keyed Alike			
GGG-GL20-GP-B	Gold (24K) Plated	Keyed Differently			
GGG-GL20-GP-D		Keyed Alike			
GGG-GL20-BL-B	Black	Keyed Differently			
GGG-GL20-BL-D		Keyed Alike			